

**PRODUCT CODE: PIE25B**  
PVC CONDUIT INSPECTION ELBOW

**DESCRIPTION**

25mm PVC Conduit Inspection Elbow

**FINISH**

Black

**MATERIAL**

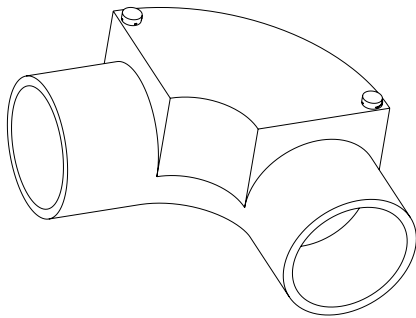
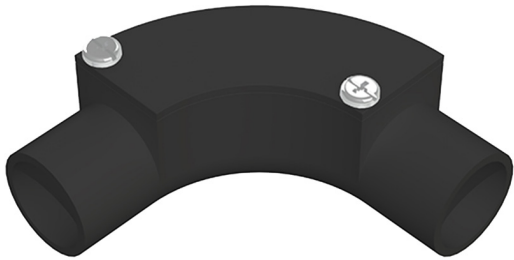
PVC

**PACKAGING**

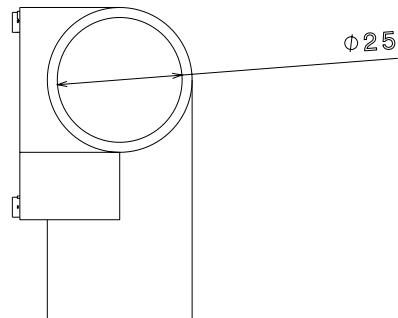
Packed in qty 20

**ADDITIONAL NOTES**

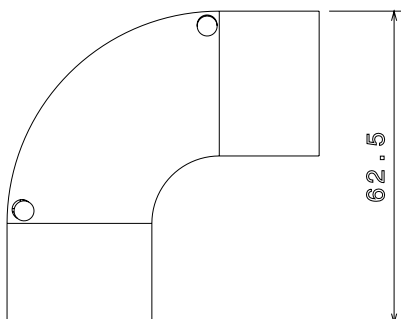
Manufactured to BS4607 part 1



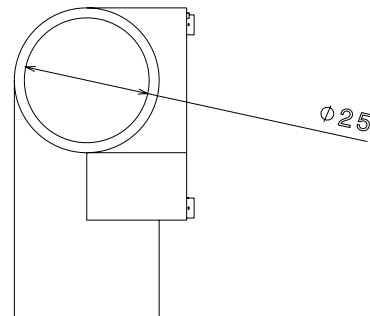
Isometric view



Right view



Front view



Left view